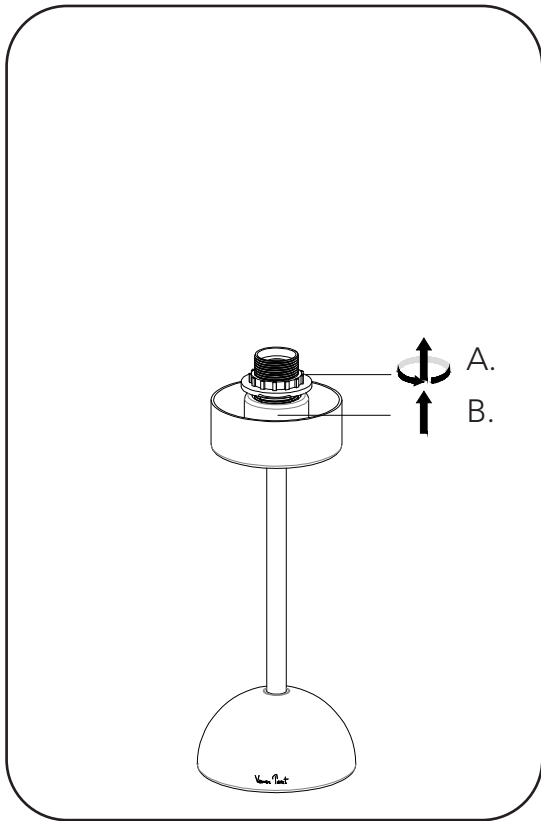


Pantop Table lamp

Design by VERNER PANTON

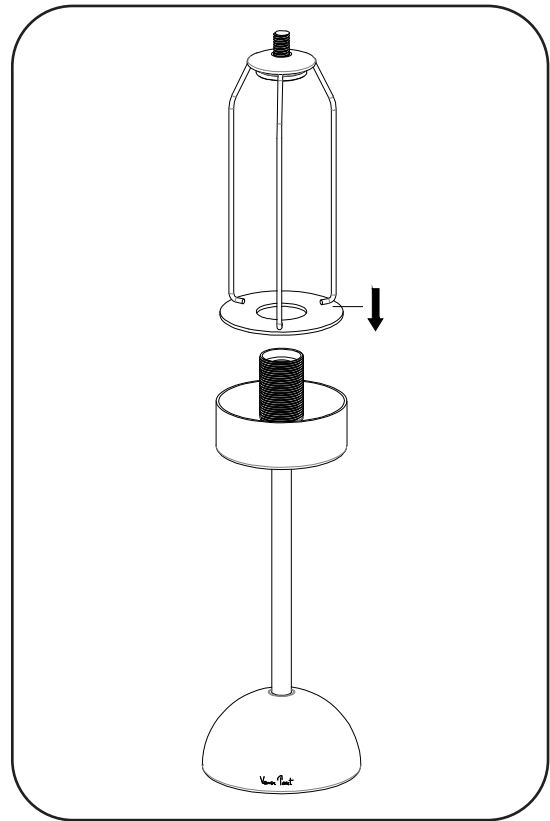
Please read thoroughly before assembly

1



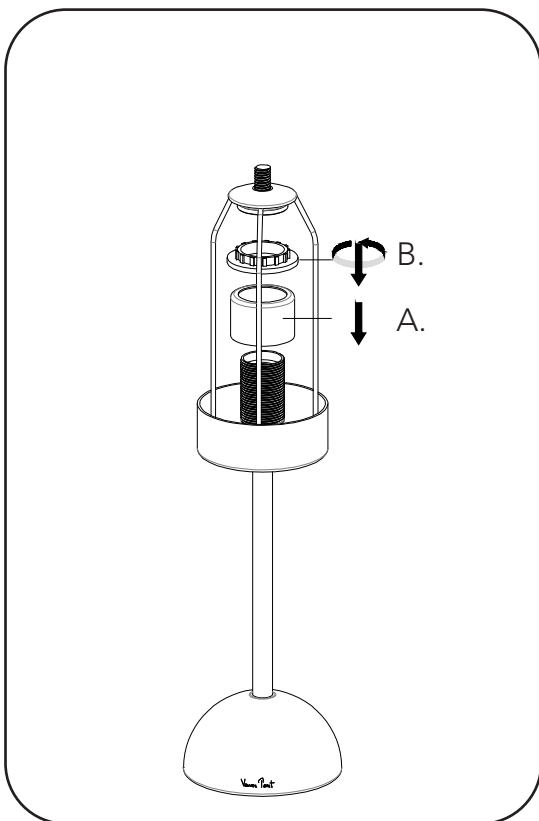
- A. Unscrew plastic fastener from the mount.
- B. Remove metal spacer.

2



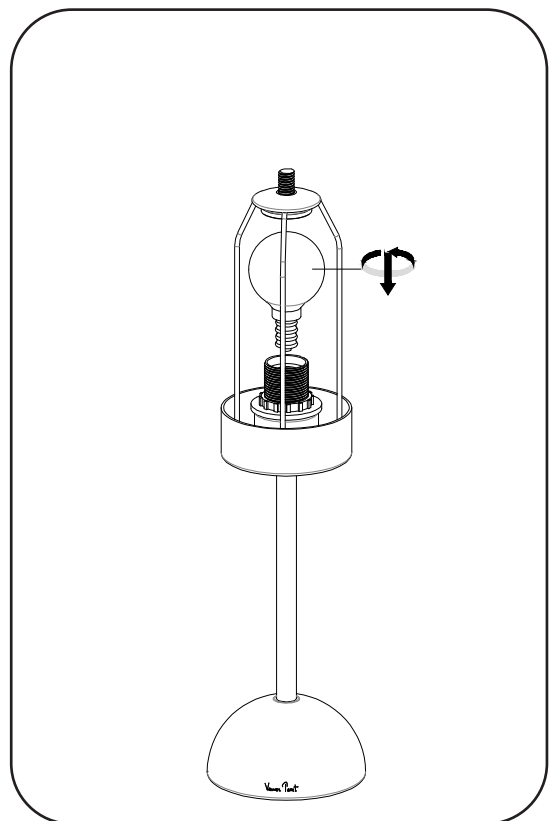
Place the shade mounting stem.

3



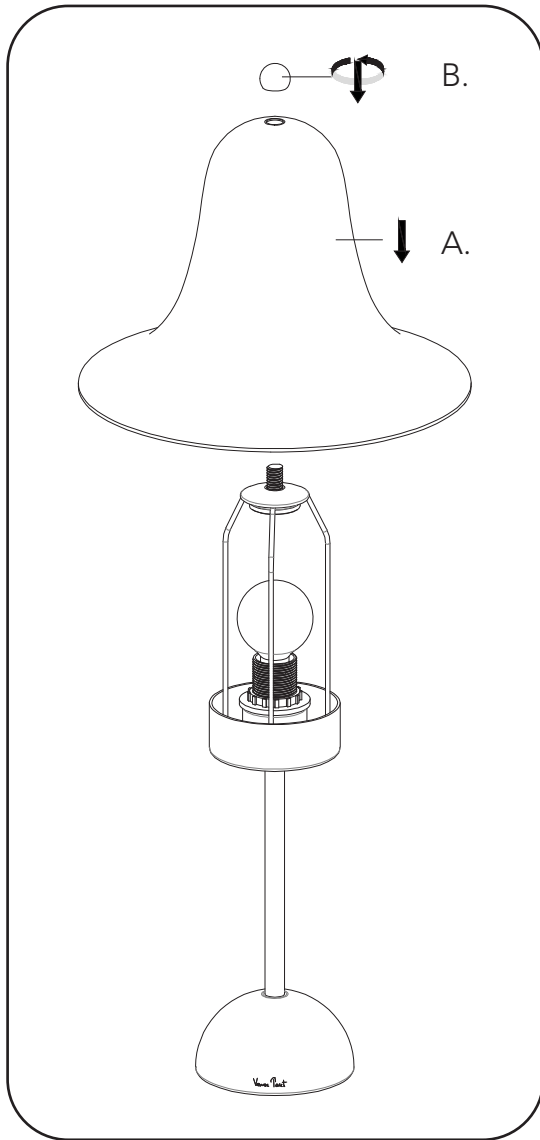
- A. Place metal spacer.
- B. Fasten plastic fastener.

4

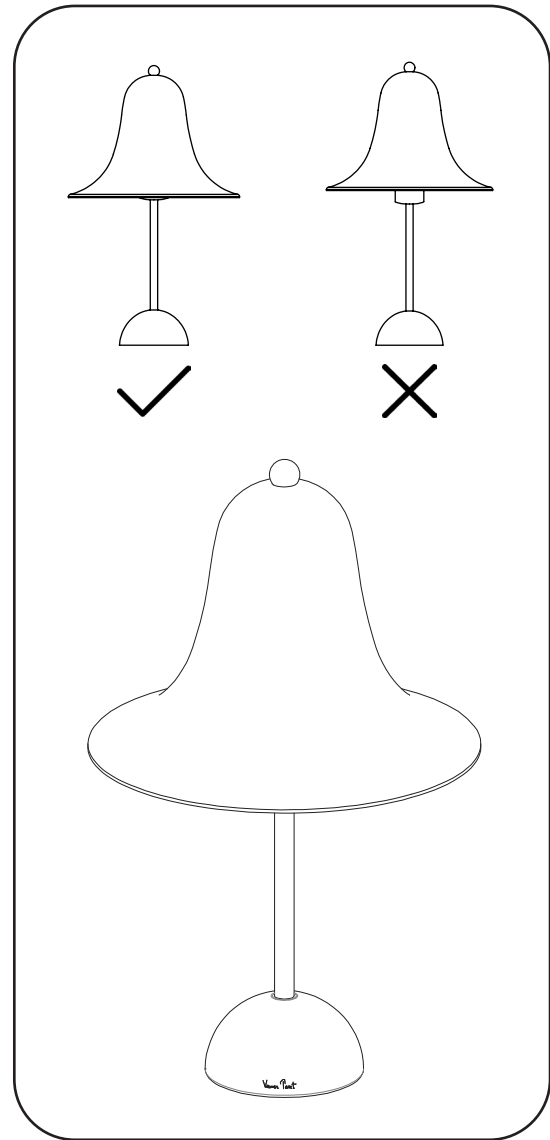


Insert lightbulb.

5



6



- A. Place shade on mounting stem.
- B. Fasten the round top knob.

HOW TO CLEAN:

CLEAN WITH A SOFT CLOTH, WARM WATER AND A MILD DETERGENT. DO NOT USE ANY ABRASIVE MATERIALS.

IMPORTANT

IF THE EXTERNAL FLEXIBLE CABLE OR CORD OF THIS LUMINAIRE IS DAMAGED, IT SHALL BE EXCLUSIVELY REPLACED BY THE MANUFACTURER OR HIS SERVICE AGENT OR A SIMILAR QUALIFIED PERSON IN ORDER TO AVOID A HAZARD.

DESIGNED
IN THE PAST
MADE FOR
TOMORROW

VERPAN ApS
Egeskovvej 29
8700 Horsens
Denmark

www.verpan.com

info@verpan.com